



# CATALOG OF REPLACEMENT PARTS



## B14 Slicer

ML-136356

B14



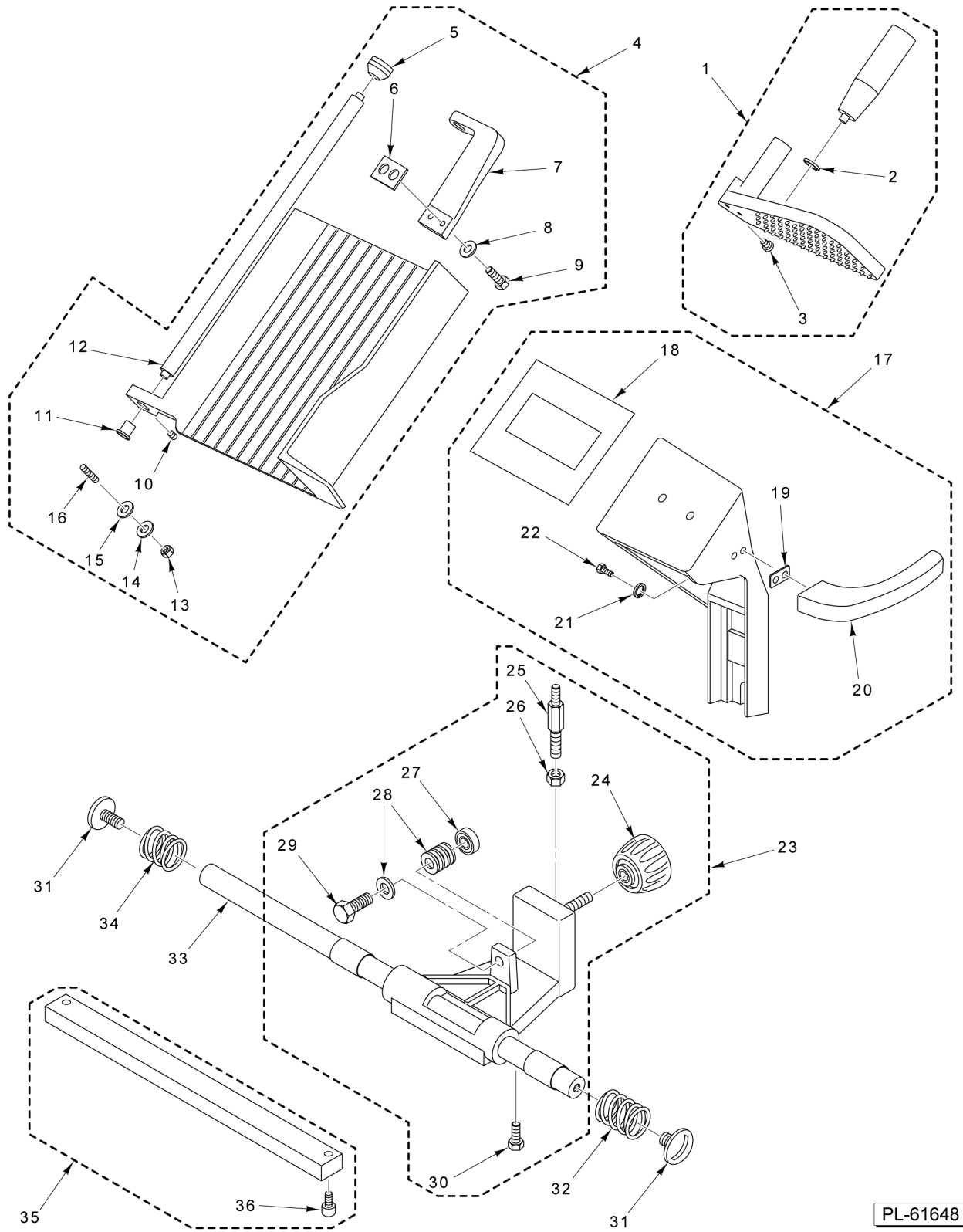
**Table of Contents**

5	ELECTRICAL AND HOUSING
7	MEAT TABLE AND CARRIAGE
9	INDEX ASSEMBLY
11	KNIFE ASSEMBLY
13	SHARPENER ASSEMBLY



## ELECTRICAL AND HOUSING

ILLUS.	PART NO.	NAME OF PART	AMT.
PL-61647			
1	01-40829E-00075	Rod - Center Plate (With Knob).....	1
2		Nut 5589 6.....	1
3		Screw - Set 5923 8 8.....	2
4		Screw - Set 5923 6 8.....	1
5		Nut 5589 6.....	2
6		Screw - Set 5923 6 16.....	2
7	00-937907	Pin.....	1
8	01-40829E-10000	Deflector - Slicer.....	1
9	00-915491	Bushing.....	1
10	00-937908	Gasket.....	1
11	01-400827-00093	Foot - Rubber.....	4
12	00-938815-00013	Kit - Switch Assy. (Incls. Items 13 & 14).....	1
13	00-915955	Boot - Switch.....	1
14	00-915959	Nut M22 x 1.....	1
15	00-938845-00011	Kit - Protection Box Assy. (Incls. Item 16).....	1
16		Screw 6954 4.2 13.....	2
17	00-915502	Capacitor (18mF).....	1
18	00-938845-00010	Kit - Capacitor Box Assy. (Incls. Items 19 thru 21).....	1
19		Screw 6954 4.2 13.....	2
20		Washer 6593 5.....	1
21		Screw 5739 5 10.....	1
22		Screw 6954 4.7 12.....	1
23	00-915508	Clamp.....	1
24	00-938845-00009	Kit - Motor Service Assy. (Incls. Items 25 thru 32).....	1
25		Screw 5931 8 14.....	1
26		Washer 6592 8 24.....	3
27		Nut 5589 8.....	3
28	01-400825-00055	Plate.....	1
29	00-915507	Rod - Tie (Motor).....	1
30	00-402101-01079	Screw.....	1
31		Nut 5588 5.....	1
32		Screw 5931 8 110.....	1
33	01-400827-0066B	Belt - Ribbed (Flat).....	1
34	00-915498	Cord - Power.....	1
35	00-938506	Plate - Locking.....	1

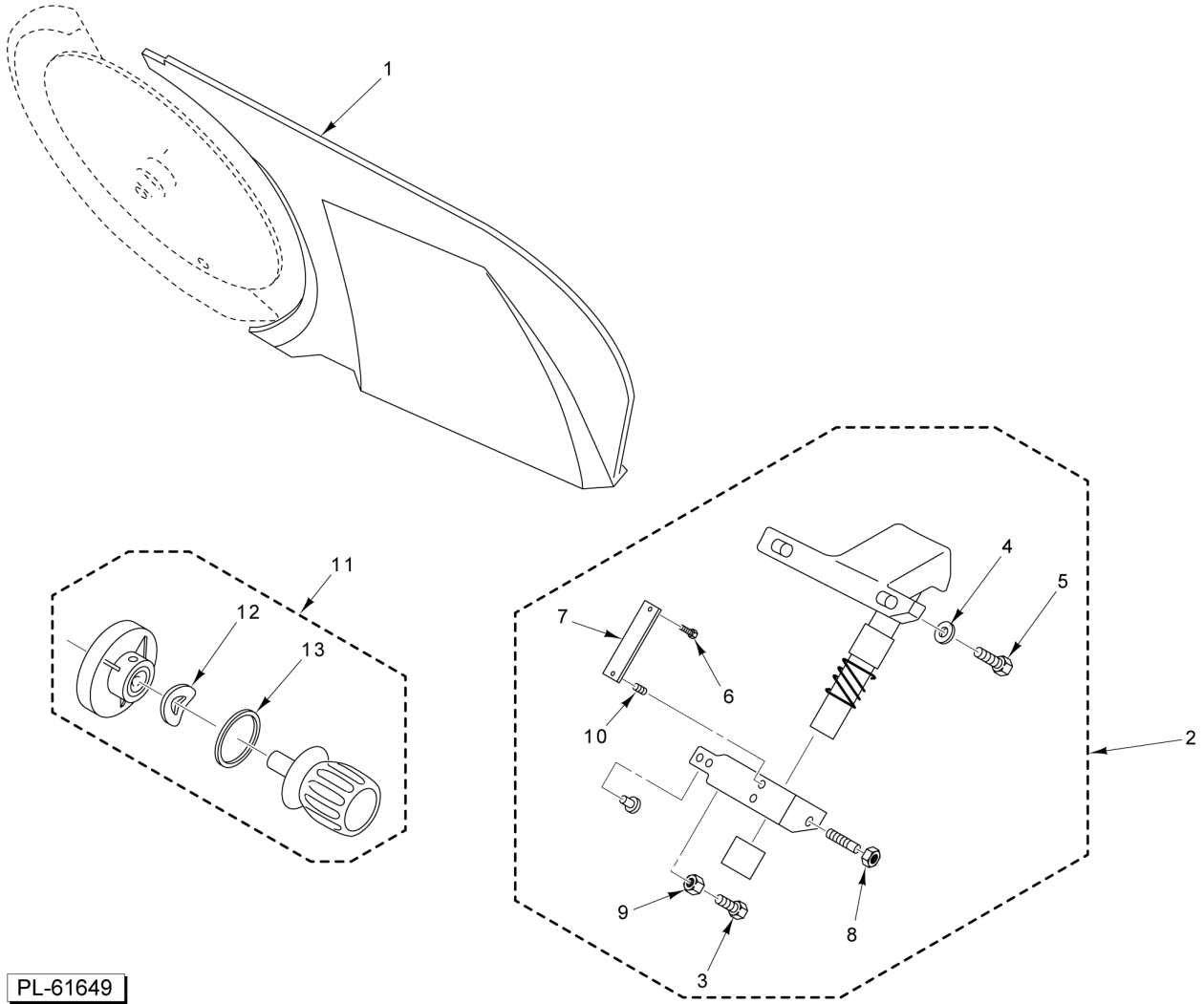


PL-61648

**MEAT TABLE AND CARRIAGE**

## MEAT TABLE AND CARRIAGE

ILLUS. PL-61648	PART NO.	NAME OF PART	AMT.
1	00-938845-00004	Kit - Meat Pusher Assy. (Incls. Items 2 & 3).....	1
2	01-403275-00249	Gasket - Pusher Handle.....	1
3	01-40829E-00082	Pad - Wearing.....	1
4	00-938845-00005	Kit - Product Tray Assy. (Incls. Items 5 thru 16).....	1
5	01-042275-00647	Knob (Red).....	1
6	01-40823E-10009	Gasket - Extension.....	1
7	01-403875-00302	Bracket, Red Extension.....	1
8		Washer 6592 6.....	2
9		Screw 5739 6 20.....	2
10		Screw - Set 5923 8 10.....	1
11	00-915452	Bushing.....	1
12	01-40829E-10003	Rod.....	1
13		Nut 5589 6.....	2
14	01-40827A-10011	Washer (Aluminum).....	1
15	01-40823E-10014	Washer - Gasket.....	1
16	01-40825A-10004	Screw.....	2
17	00-938815-00006	Kit - Tray Support Assy. (Incls. Items 18 thru 22).....	1
18	01-40827A-10009	Gasket - Tray Support.....	1
19	01-40823E-10016	Gasket - Carriage Handle.....	1
20	01-403875-00303	Handle, Red Carriage.....	1
21		Washer 1751 6.....	2
22		Screw 5739 6 14.....	2
23	00-938845-00006	Kit - Carriage Assy. (Incls. Items 24 thru 30).....	1
24	01-402275-00641	Knob, Red Carriage.....	1
25	01-40829E-10004	Spacer.....	1
26		Nut 5589 8.....	1
27	01-400827-00015	Bearing.....	1
28		Washer 6592 10 21.....	2
29	00-938005-00033	Screw.....	1
30	01-400827-00129	Screw (Nylon).....	1
31	01-400827-00050	Screw - Round Rail.....	1
32	01-400827-00020	Spring.....	1
33	00-915470	Bar - Round.....	1
34	01-40827A-10012	Spring.....	1
35	00-938815-00007	Kit - Square Bar Assy. (Incls. Item 36).....	1
36		Screw 5931 6 20.....	2



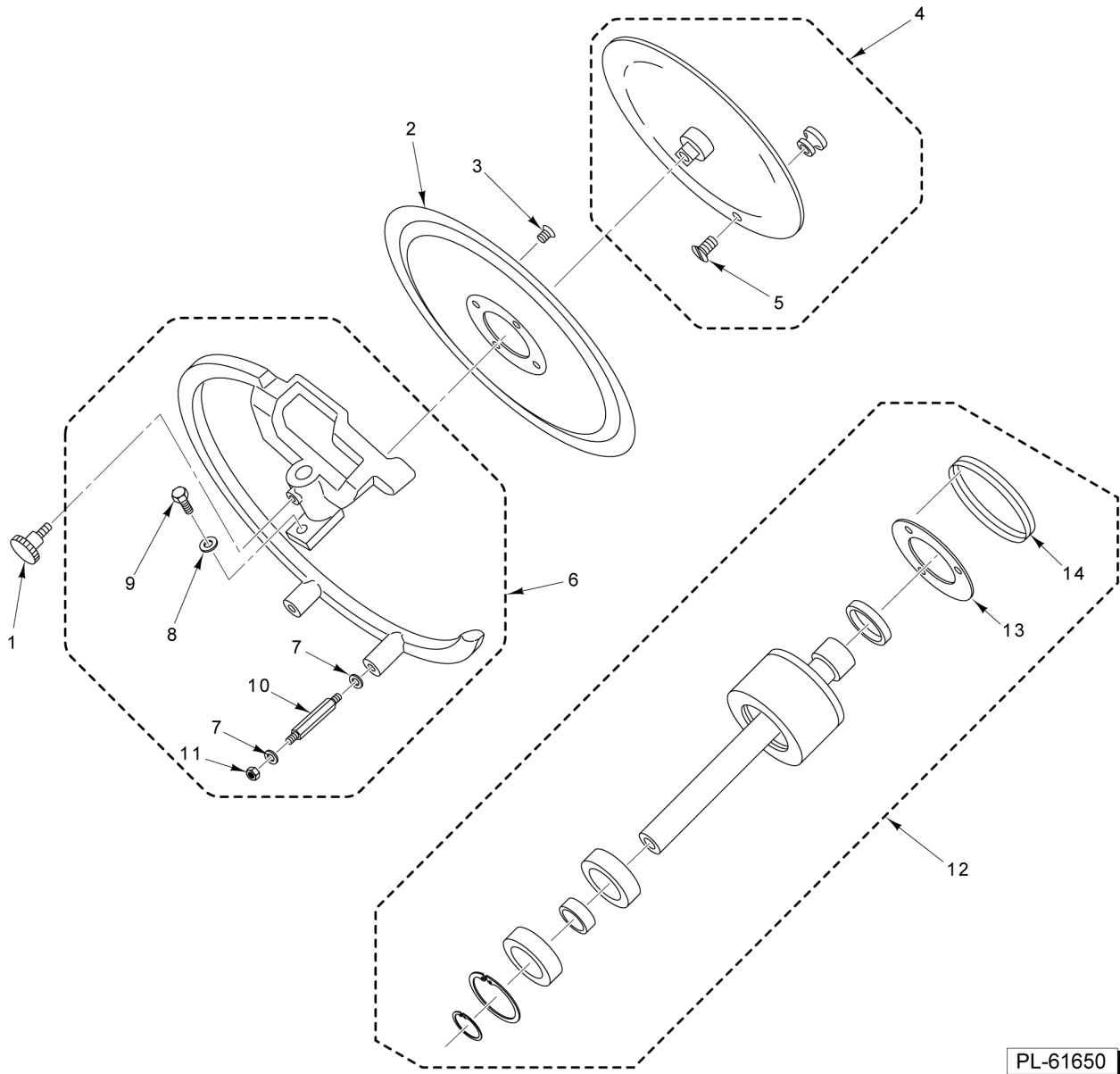
PL-61649

### INDEX ASSEMBLY



## INDEX ASSEMBLY

ILLUS.	PART NO.	NAME OF PART	AMT.
PL-61649			
1	01-40829E-10006	Plate - Gauge.....	1
2	00-938815-00009	Kit - Index Assy. (Incls. Items 3 thru 10).....	1
3	01-400827-00028	Screw (Brass).....	1
4	01-403301-03812	Washer (Aluminum).....	2
5		Screw 5739 6 30.....	2
6		Screw 5739 5 14.....	2
7	01-400827-00026	Plate.....	1
8		Nut 5589 8.....	1
9		Nut 5588 5.....	1
10		Screw - Set 5929 8 10.....	2
11	00-938845-00007	Kit - Index Knob (Incls. Items 12 & 13).....	1
12	01-400827-00095	Washer - Spring.....	1
13		Washer GR-35001027.....	1

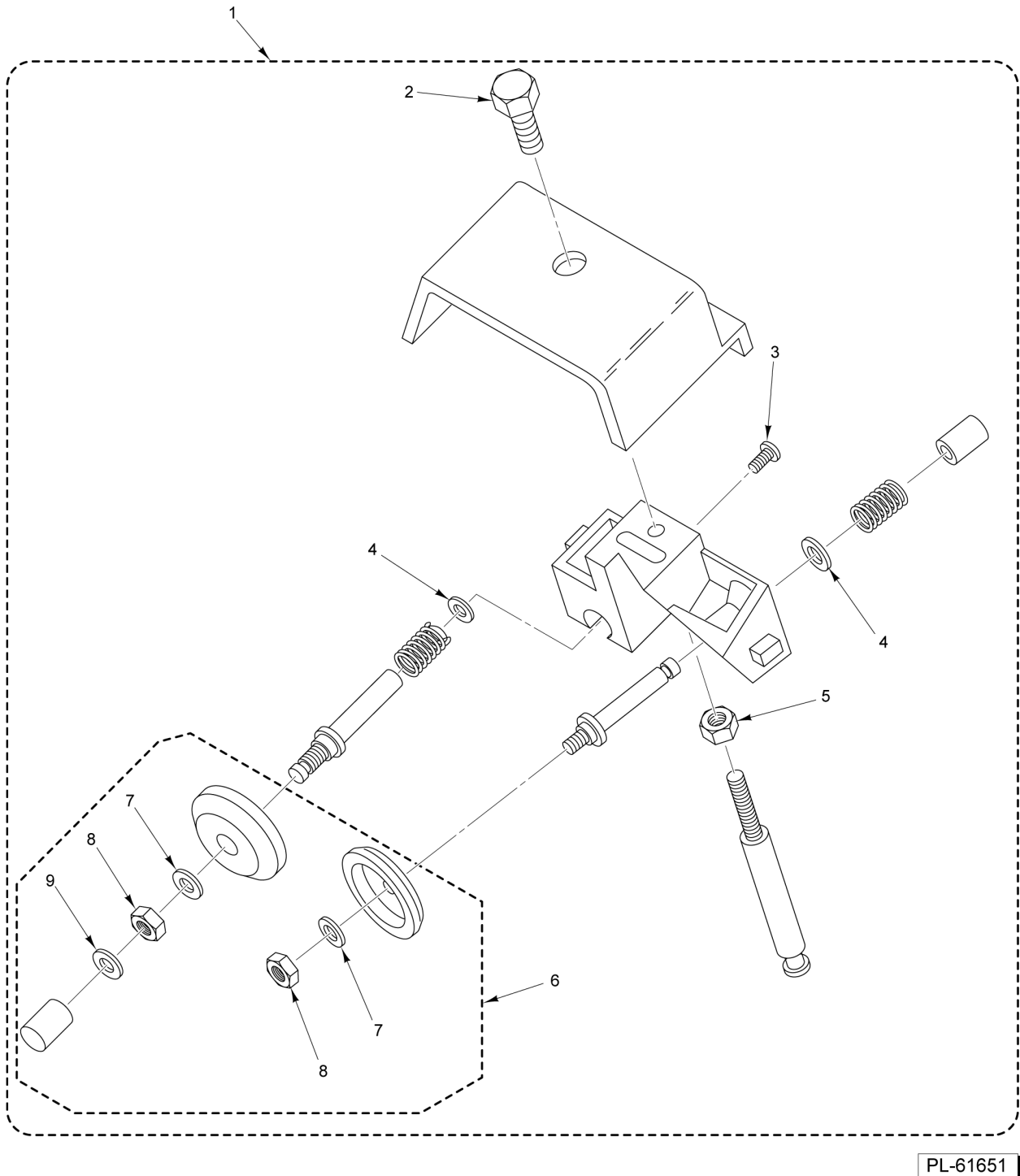


PL-61650

### KNIFE ASSEMBLY

**KNIFE ASSEMBLY**

ILLUS.	PART NO.	NAME OF PART	AMT.
PL-61650			
1	01-402275-00643	Knob.....	1
2	01-400829-00073	Knife.....	1
3		Screw 6109 5 12/A2.....	4
4	00-938845-00001	Kit - Blade Cover Assy. (Incls. Item 5).....	1
5		Screw - Knife 6109 5 10/A2.....	1
6	00-938845-00002	Kit - Guard Ring Assy. (Incls. Items 7 thru 11).....	1
7		Washer 6592 3.....	2
8		Washer 6602 6 18/A2.....	1
9		Screw 5739 6 20.....	1
10	01-40829E-00613	Spacer - Knife Guard.....	1
11		Nut 55885.....	1
12	00-938845-00003	Kit - Pulley Assy. (Incls. Items 13 & 14).....	1
13	01-40829E-00403	Ring.....	1
14	01-40829E-00404	Seal - Rubber.....	1



PL-61651

### SHARPENER ASSEMBLY

### SHARPENER ASSEMBLY

ILLUS. PL-61651	PART NO.	NAME OF PART	AMT.
1	00-938845-00008	Kit - Sharpener Assy. (Incls. Items 2 thru 8).....	1
2	01-400829-00050	Screw.....	1
3		Screw 6109 4 8.....	1
4	01-40300M-00144	Washer.....	2
5		Nut 5588 8.....	1
6	00-938815-00011	Kit - Sharpening Stone (Incls. Items 7 & 8).....	1
7	01-40300M-00144	Washer.....	2
8		Nut 5589 6.....	2
9		Washer 6592 5.....	1

