



CATALOG OF REPLACEMENT PARTS

Vegetable Cutter

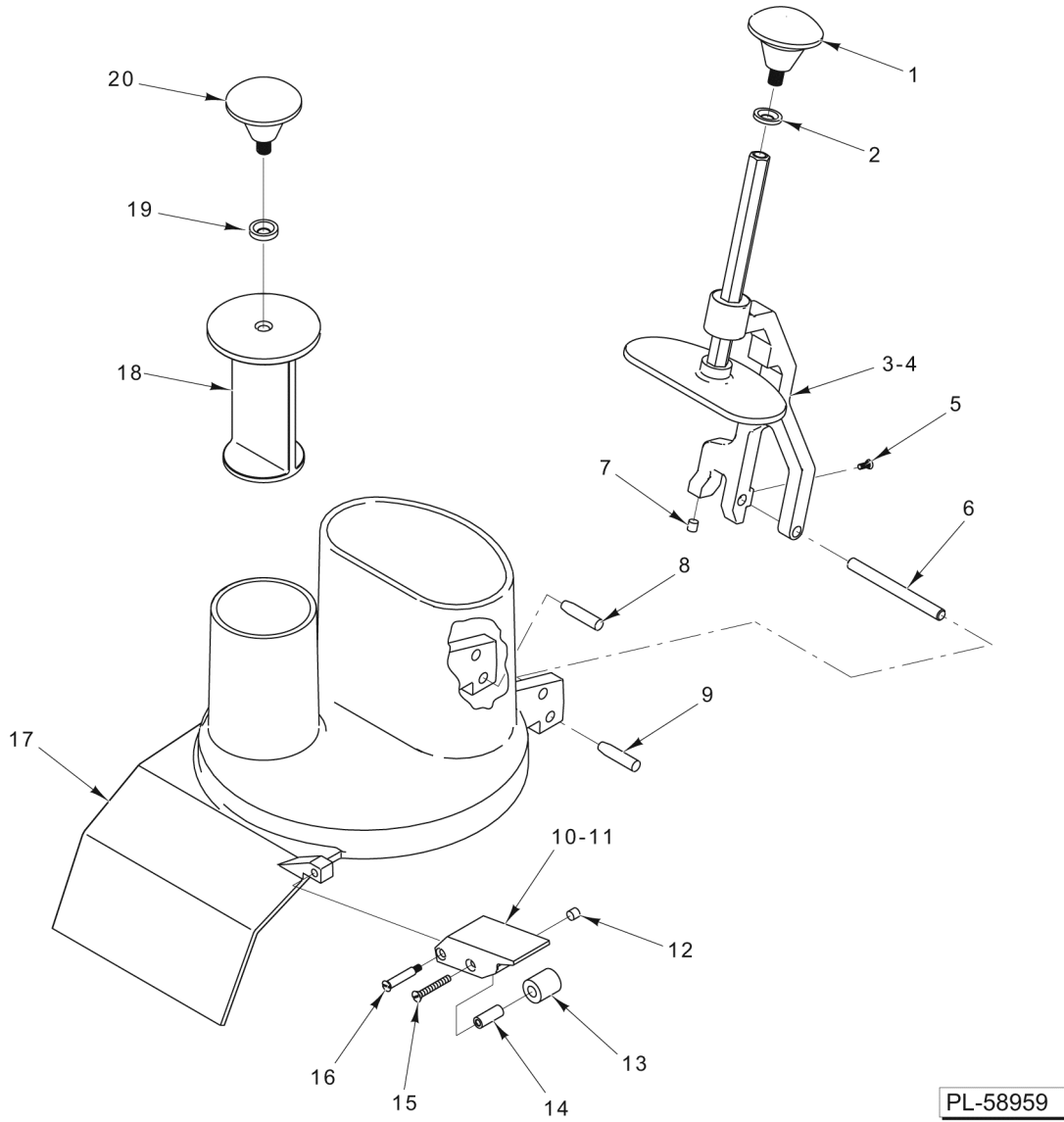


ML-139102
ML-139105

M2000
M3000

Table of Contents

5	FEED HOPPER ASSEMBLY
7	DRIVE SHAFT AND COVER
9	MOTOR AND HOUSING
11	ACCESSORIES

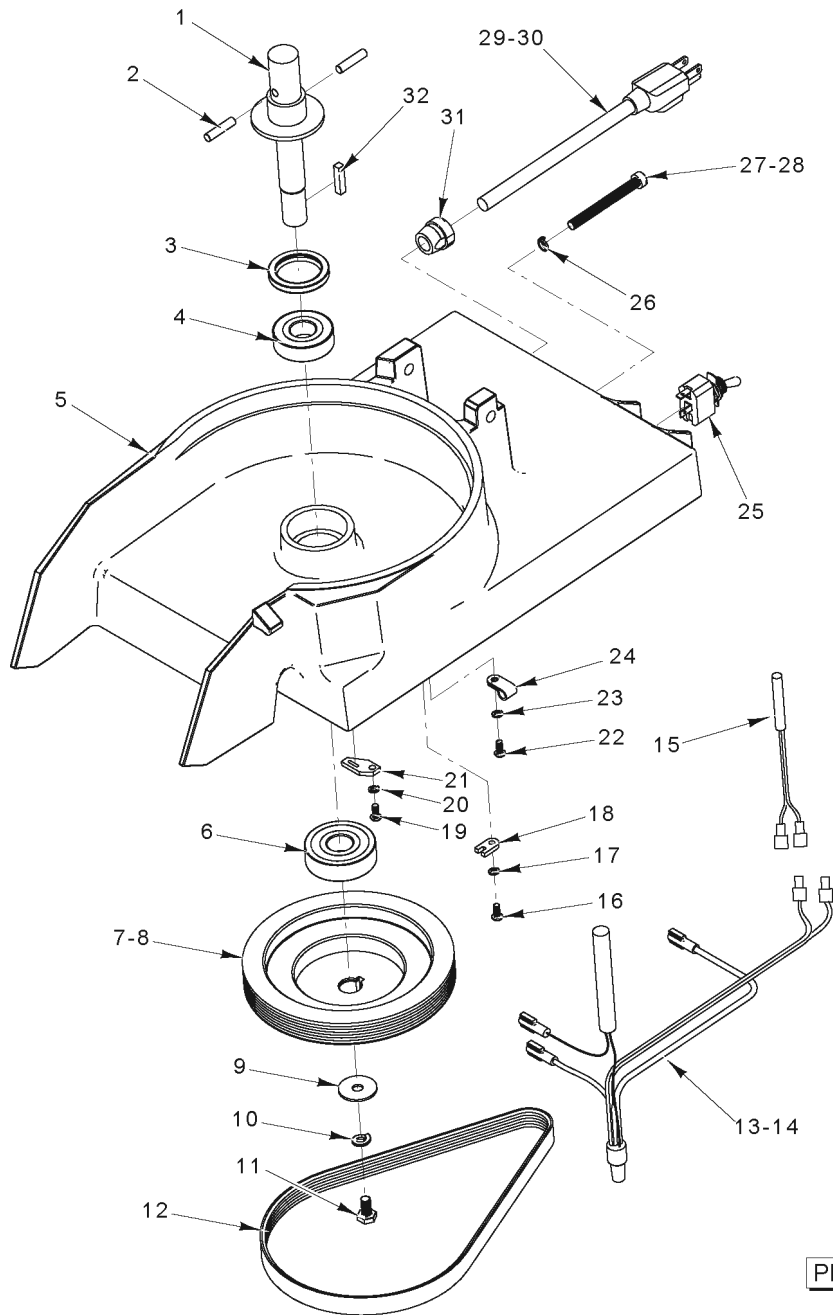


PL-58959

FEED HOPPER ASSEMBLY

FEED HOPPER ASSEMBLY

ILLUS. PL-58959	PART NO.	NAME OF PART	AMT.
1	01-502107	Knob.....	1
2	01-502108-0000G	Spacer Incls. Items 1, 4, 6, & 7.....	1
3	01-502108	Arm - Pusher Assy.....	1
4	01-502108-000MP	Arm Subassy. - Pusher Incls. Item 7.....	1
5	01-502435	Mach. Screw Hex Hd.....	1
6	01-502108-0000D	Pin - Mounting.....	1
7	01-502110-0000B	Magnet.....	1
8	01-502113	Pin - Long.....	1
9	01-502114	Pin - Short.....	1
10	01-502110	Lock Assy. - Toggle.....	1
11	01-502110-0000C	Lock - Toggle.....	1
12	01-502110-0000A	Magnet.....	1
13	01-502112	Roller.....	1
14	01-502112-0000A	Bushing.....	1
15	01-502111-0000A	Mach. Screw Slotted Rd. Hd.....	1
16	01-502111	Bolt - Shoulder.....	1
17	01-502100	Hopper - Feed.....	1
18	01-502105	Pusher.....	1
19	01-502108-0000G	Spacer.....	1
20	01-502107	Knob.....	1

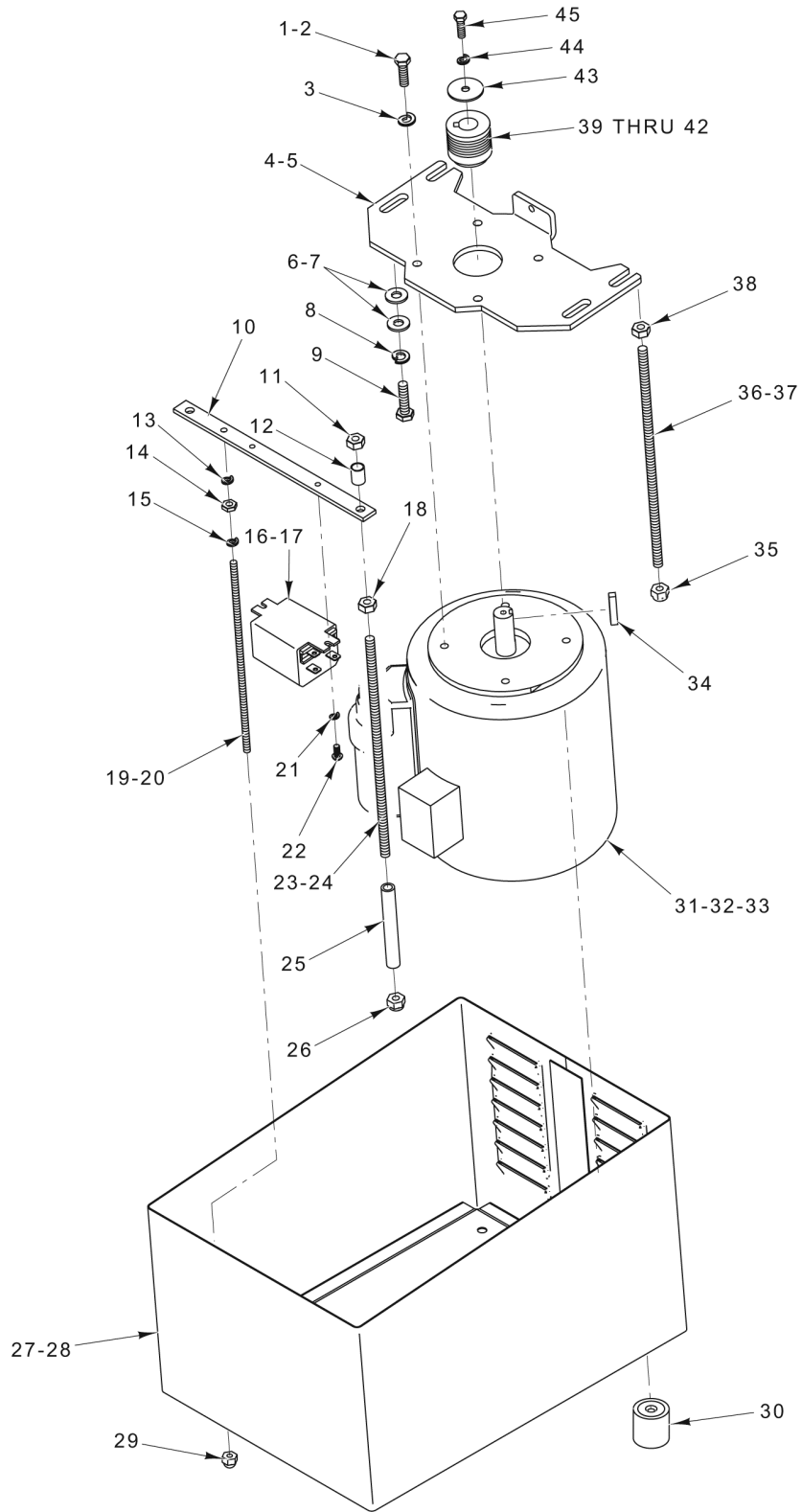


PL-58960

DRIVE SHAFT AND COVER

DRIVE SHAFT AND COVER

ILLUS. PL-58960	PART NO.	NAME OF PART	AMT.
1	01-502207	Shaft (With Drive Pins).....	1
2	01-502208	Pin.....	2
3	01-502212	Seal.....	1
4	01-502213	Ball Bearing - Upper.....	1
5	01-502200	Housing.....	1
6	01-502214	Ball Bearing - Lower.....	1
7	01-502325	Pulley - Cutter (60 Hz.).....	1
8	01-502325-0000E	Pulley - Cutter (50 Hz.).....	1
9	01-502209-0000C	Washer - Flat.....	1
10	01-502209-0000B	Lockwasher.....	1
11	01-502209-0000A	Mach. Screw Hex Hd.....	1
12	01-502326	Belt - Poly-V.....	1
13	01-502322-0000A	Reed Switch Assy. - Wiring Harness (M2000).....	1
14	01-502322-0000C	Reed Switch Assy. - Wiring Harness (M3000).....	1
15	00-087711-00359	Switch, Reed.....	1
16	01-502324	Mach. Screw Hex Hd.....	1
17	01-502324-0000A	Lockwasher.....	1
18	01-502323-0000B	Bracket - Reed Switch Mounting.....	1
19	01-502324	Mach. Screw Hex Hd.....	1
20	01-502324-0000A	Lockwasher.....	1
21	01-502323-0000A	Bracket - Reed Switch Mounting.....	1
22	01-502324	Mach. Screw Hex Hd.....	1
23	01-502324-0000A	Lockwasher.....	1
24	01-502324-0000B	Clip - "P".....	1
25	01-502310	Switch - Toggle.....	1
26	01-502329	Lockwasher.....	1
27	01-502328	Screw - Adjusting (M2000).....	1
28	01-503328	Screw - Adjusting (M3000).....	1
29	01-503311	Cord Assy. - Power (115 V.).....	1
30	01-502311-0000E	Cord Assy. - Power (220 V.).....	1
31	01-502312	Relief - Strain.....	1
32	01-502209	Key.....	1
	01-502215	Ring - Retaining.....	1

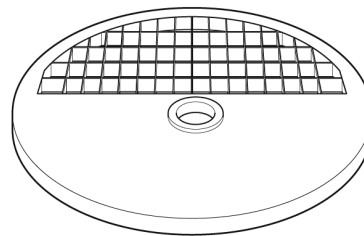
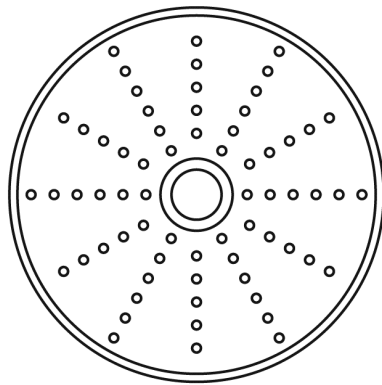
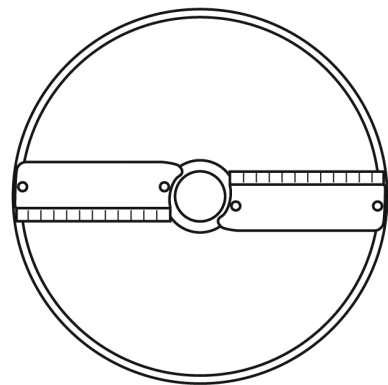
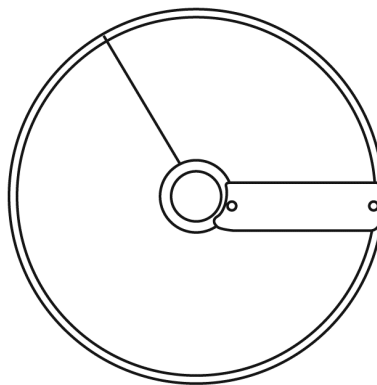
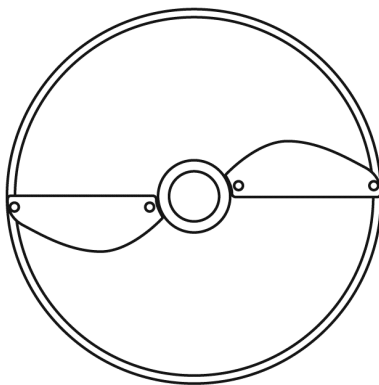
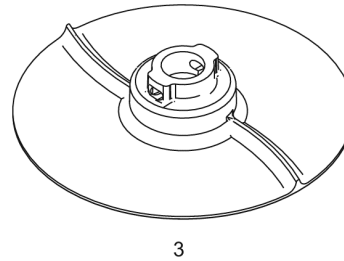
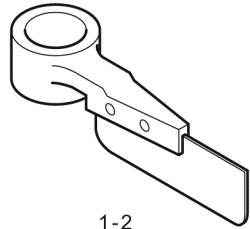


PL-58967

MOTOR AND HOUSING

MOTOR AND HOUSING

ILLUS. PL-58967	PART NO.	NAME OF PART	AMT.
1	01-502301	Mach. Screw Hex Hd. (M2000).....	4
2	SC-037-71	Cap Screw 3/8-16 x 3/4 Hex Hd. (M3000).....	4
3	01-502301-0000A	Lockwasher.....	4
4	01-502331-0000A	Bracket - Motor Mounting (M2000).....	1
5	01-503332	Bracket - Motor Mounting (M3000).....	1
6	01-502335	Washer - Flat (M2000).....	2
7	01-503335	Washer - Flat (M3000).....	2
8	01-502301-0000A	Lockwasher.....	2
9	01-502333	Mach. Screw Hex Hd.....	2
10	01-502319	Bar - Mounting.....	1
11	01-502315	Nut - Hex.....	2
12	01-502319-0000A	Spacer - Unthreaded.....	2
13	01-502317-0000C	Lockwasher.....	1
14	01-502317-0000B	Nut - Hex.....	1
15	01-502317-0000C	Lockwasher.....	1
16	01-502318-0000A	Relay (115 V.).....	1
17	01-502318-0000E	Relay (240 V.).....	1
18	01-502315	Nut - Hex.....	2
19	01-502317	Rod - UL (M2000).....	1
20	01-503317	Rod - (M3000).....	1
21		Lockwasher.....	2
22		Mach. Screw.....	2
23	01-502313-0000A	Leg - Front (M2000).....	2
24	01-503314-0000A	Leg - Front (M3000).....	2
25	01-502315-0000B	Tube - Plastic.....	1
26	01-502315-0000A	Lock Nut.....	2
27	01-502350	Housing Assy. (M2000).....	1
28	01-503350	Housing Assy. (M3000).....	1
29	01-502317-0000D	Nut - Acorn.....	AR
30	01-502316	Foot.....	1
31	01-502303-0000A	Motor Assy. (115V., 60 Hz., 1 Ph.) (1/2 Hp. M2000).....	1
32	01-503305	Motor Assy. (115-240 V., 60 Hz., 1 Ph.) (3/4 Hp. M3000).....	1
33	01-503306	Motor Assy. (115-240 V., 50 Hz., 1 Ph.) (3/4 Hp. M3000).....	1
34	01-502327-0000D	Key - Motor.....	2
35	01-502315-0000A	Lock Nut.....	2
36	01-502313	Leg - Rear (M2000).....	2
37	01-503314	Leg - Rear (M3000).....	2
38	01-502315	Nut - Hex.....	2
39	01-502327	Pulley - Motor (60 Hz.) (M2000).....	1
40	01-503327	Pulley - Motor (60 Hz.) (M3000).....	1
41	01-502327-0000E	Pulley - Motor (50 Hz.) (M2000).....	1
42	01-503327-0000E	Pulley - Motor (50 Hz.) (M3000).....	1
43	01-502327-0000B	Washer - Flat.....	1
44	01-502327-0000C	Lockwasher.....	1
45	01-502327-0000A	Mach. Screw Hex Hd.....	1



PL-58966

ACCESSORIES

ACCESSORIES

ILLUS.	PART NO.	NAME OF PART	AMT.
1	01-502211-00NSF	Ejector - Scraper (Incls. Item 2).....	1
2	01-502210	Blade - Nylon.....	1
3	01-502211-000ED	Disc - Ejector.....	1
4	01-502400	Slicer (S1) (Incls. Items 11 & 12).....	1
5	01-502401	Slicer (S2) (Incls. Items 11 & 12).....	1
6	01-502402	Slicer (S3) (Incls. Items 11 & 12).....	1
7	01-502403	Slicer (S5) (Incls. Items 11 & 12).....	1
8	01-502404	Slicer (S8) (Incls. Items 11 & 12).....	1
9	01-502405	Slicer (S11) (Incls. Items 11 & 12).....	1
10	01-502403-000CC	Slicer (S5C).....	1
11	01-502431	Blade - Curved.....	1
12	01-502434	Screw - Flat Hd.....	AR
13	01-502406	Slicer (S14) (Incls. Items 14 & 15).....	1
14	01-502432	Blade Assy.....	1
15	01-502434	Screw - Flat Hd.....	AR
16	01-502407	Plate Assy. - Julienne (J2x2) (Incls. Items 19, 20, & 23).....	1
17	01-502408	Plate Assy. - Julienne (J4x4) (Incls. Items 19, 21, & 23).....	1
18	01-502409	Plate Assy. - Julienne (J6x6) (Incls. Items 19, 22, & 23).....	1
19	01-502433	Blade - Julienne.....	1
20	01-502436	Cutting Assy. - Bar (J2x2).....	1
21	01-502437	Cutting Assy. - Bar (J4x4).....	1
22	01-502438	Cutting Assy. - Bar (J6x6).....	1
23	01-502435	Mach. Screw Hex Hd.....	AR
24	01-502410	Shredder Assy. (SH2) (Incls. Items 29, 34, & 35).....	1
25	01-502411	Shredder Assy. (SH3) (Incls. Items 30, 34, & 35).....	1
26	01-502412	Shredder Assy. (SH4) (Incls. Items 31, 34, & 35).....	1
27	01-502413	Shredder Assy. (SH7) (Incls. Items 32, 34, & 35).....	1
28	01-502415	Shredder Assy. (SHP) (Incls. Items 33, 34, & 35).....	1
29	01-502475	Plate - Shredder (SH2).....	1
30	01-502476	Plate - Shredder (SH3).....	1
31	01-502477	Plate - Shredder (SH4).....	1
32	01-502478	Plate - Shredder (SH7).....	1
33	01-502479	Plate - Shredder (SHP).....	1
34	01-502435-0000A	Screw.....	AR
35	01-502422	Frame Assy.....	1
36	01-502423	Frame Assy.....	1
37	01-502416	Grid Assy. - Dicing (D8).....	1
38	01-502417	Grid Assy. - Dicing (D11).....	1
39	01-502418	Grid Assy. - Dicing (D14).....	1
40	01-502419	Grid Assy. - Dicing (D22).....	1
	01-502467	Rack - Storage (3 Accessories).....	1
	01-502470	Rack - Storage (6 Accessories).....	1
	01-502500	File - Diamind.....	1

